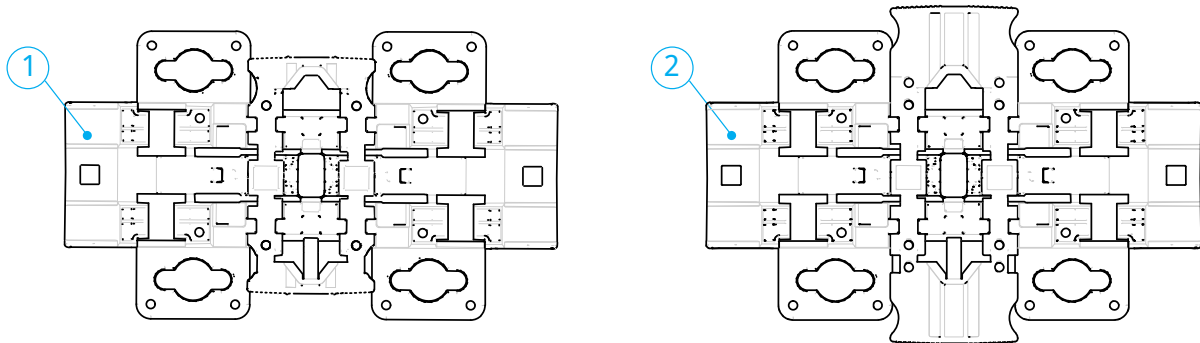


## NOVUX™ Fiber Optic System NVX-UMB-NN-SS/SM-BK: Universal mounting bracket S

Applicable for CC 40/100 and HT products

### 1 Kit content



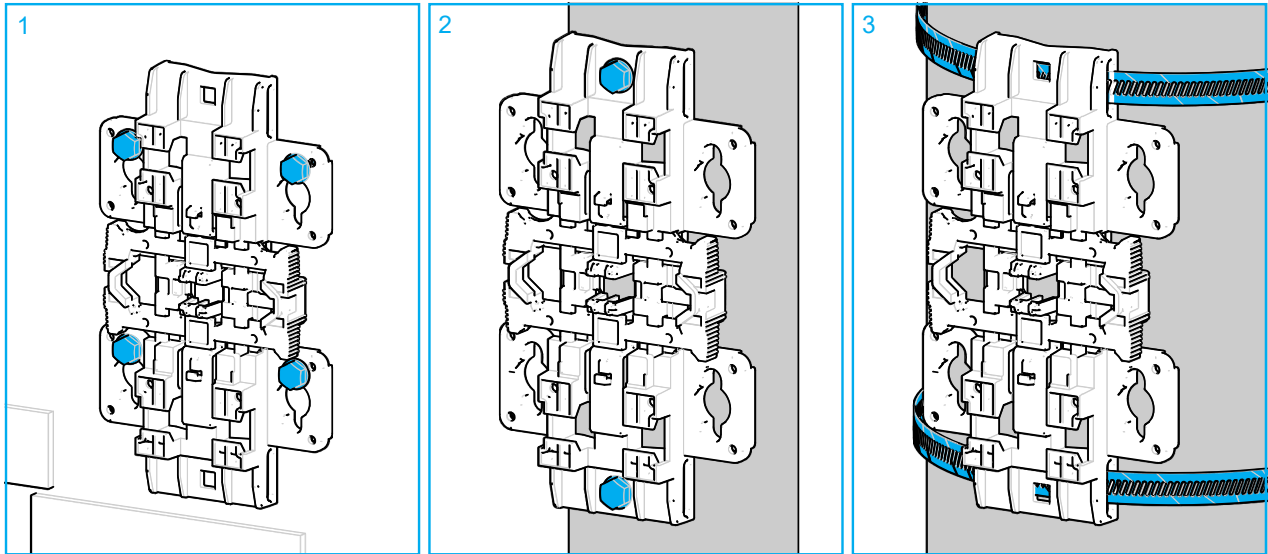
N°	Description	Qty kit NVX-UMB-NN-SS-BK	Qty kit NVX-UMB-NN-SM-BK
1	Universal Mounting Bracket Small (small handle)	1	0
2	Universal Mounting Bracket Small (medium handle)	0	1

**Note:** Note that only 1 product is delivered per kit depending on the kit ordered.


PRODUCT SIZE	NVX-UMB-NN-SS-BK SMALL Handle (1)	NVX-UMB-NN-SM-BK MEDIUM Handle (2)
Product size width < 12 cm (4.7 Inches)	•	
Product size width > 12 cm (4.7 Inches)		•

## 2 Mount the UMB-S

Depending on the use, there are several options for mounting the UMB.




1 Mount the UMB on a flat surface with 4 screws.

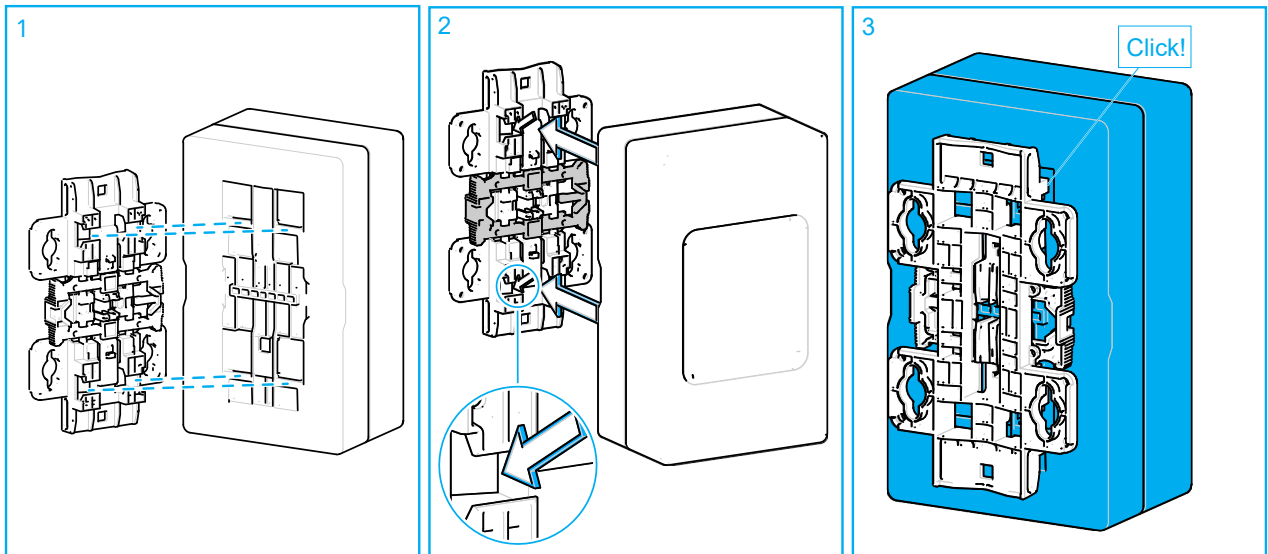
 **Note:** Wall mounting is not allowed in USA due to lack of UL Listing.

2 Mount the UMB on a flat surface or onto a pole with 2 screws.


3 Mount the UMB onto a pole with 2 straps.

 **Note:** Mounting hardware is not a part of the kit.

## 3 Install the closure onto the UMB S



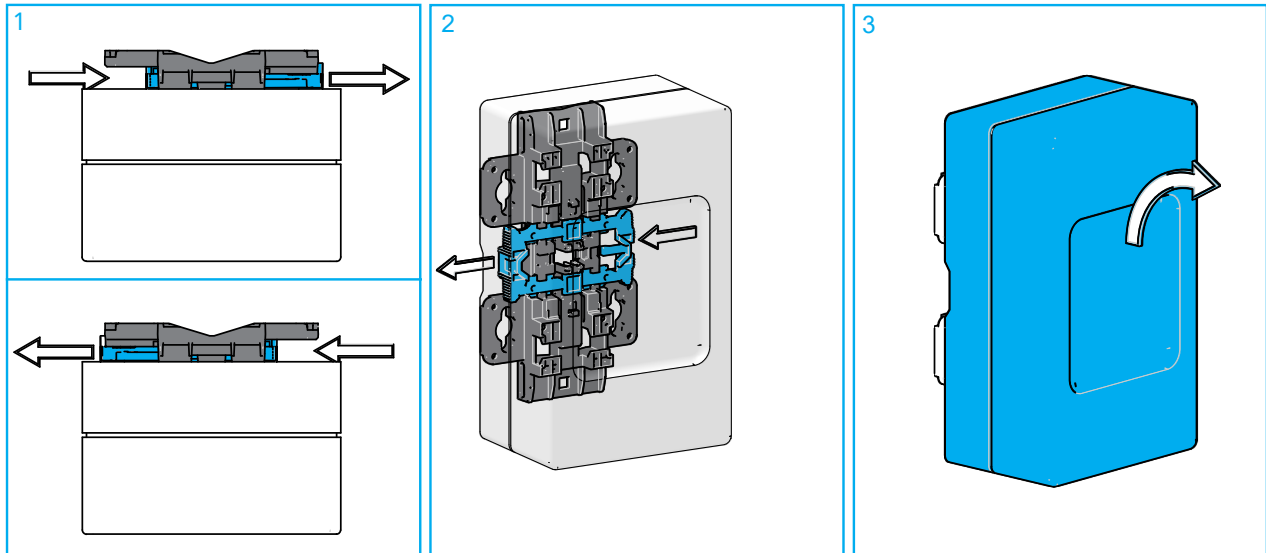
1 Secure the closure onto the UMB S with the features highlighted.

 **Note:** Make sure the handle is positioned centered in the bracket before installing the closure onto the UMB.


2 Move the closure to the mounting bracket. Then slide the closure downwards.

3 When a click sound is noticed, the closure is properly locked.

## 4 Detach the closure from the UMB S



- 1 The handle can be pushed left or right to unlock the closure.
- 2 Push the handle to one side.
- 3 Lift and remove the closure.

 **Note:** Verify that the handle is centered again.