
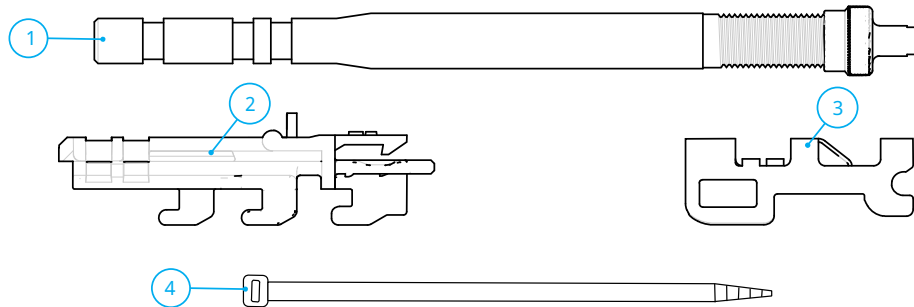


## NOVUX™ Fiber Optic System NVX-VLV-NN-NN-NN: Airvalve with metal clip


Applicable for CC 40

### 1 Kit contents valve

 **Note:** Always install grounding when using the valve with armored cables or cables with metal strength members.

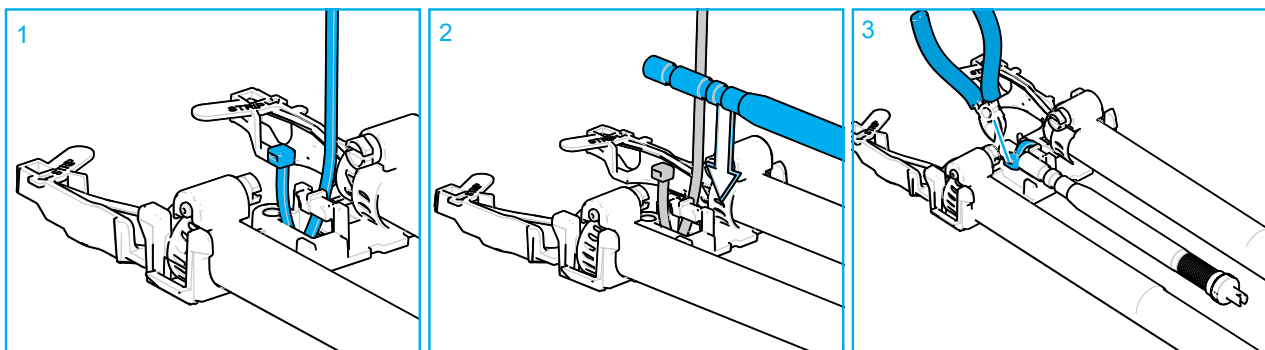


N°	Description	Qty
1	Valve	1
2	Carrier*	1
3	Metal Clip*	1
4	Cable tie	1

 **Note:** The carrier and the metal clip are not to be used when installing the valve in the CC 40 enclosure. Only applicable when installing the valve in the CC 100/150/200 enclosure. See document TC-1472-IP.

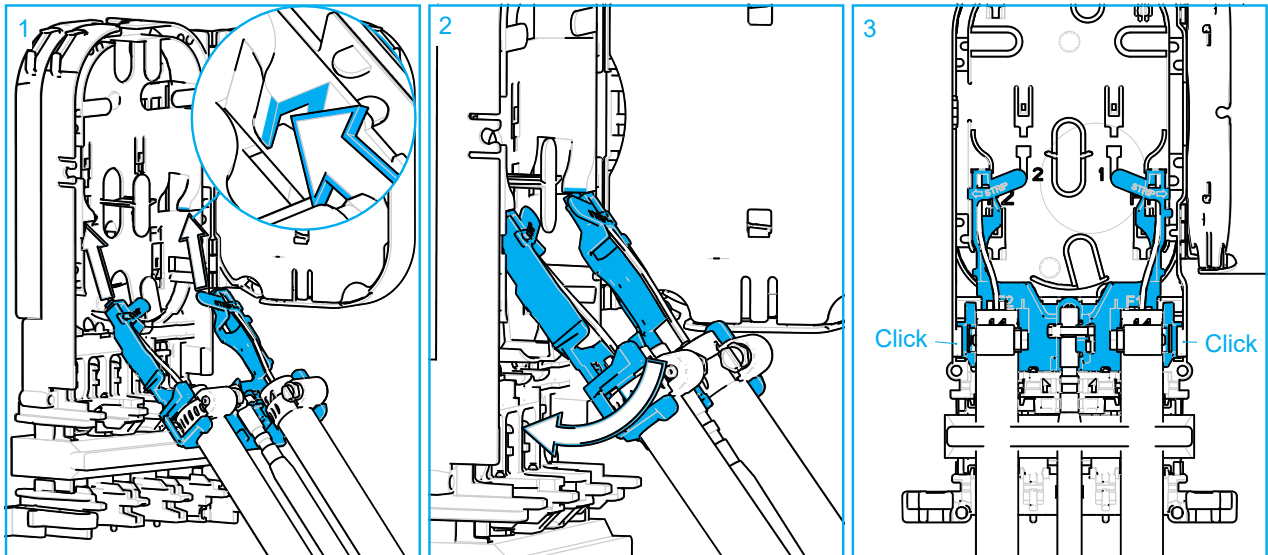
### 2 Installation valve without armored cables and grounding

#### 2.1 Valve installation



- 1 Install the cable tie in the top slot in the center of the carrier. Make sure the heads are oriented correctly.
- 2 Install the valve, align the cable tie with the top slot of the valve.
- 3 Tighten the cable tie and cut of excess cable tie strap.

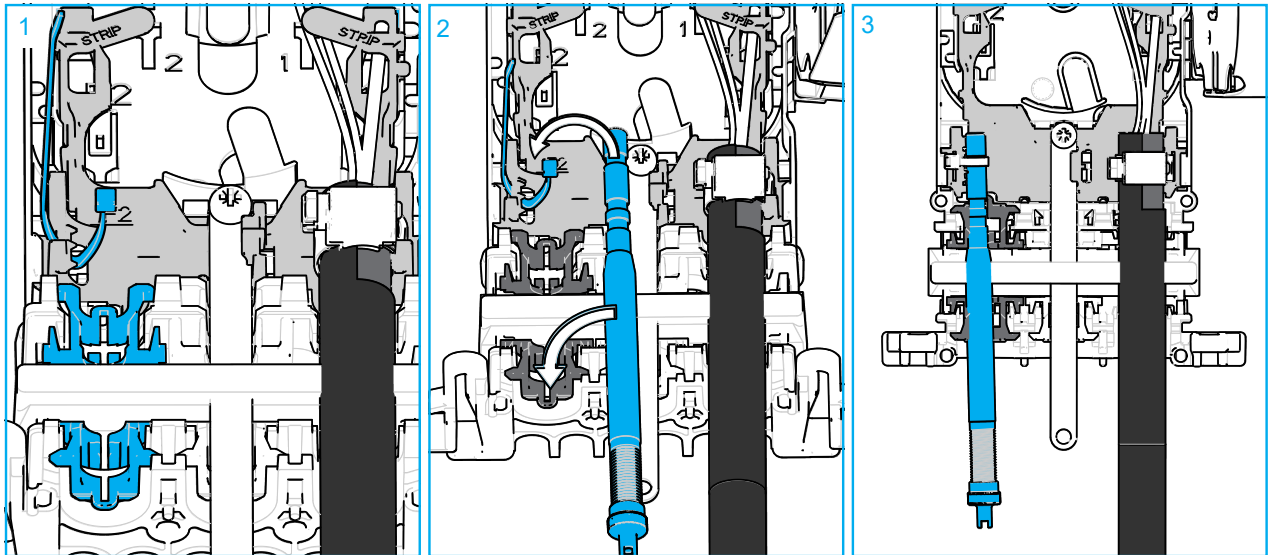
## 2.2 Install feeder cable bracket



- 1 Insert the 2 pins on the top of the bracket into the 2 holes on the tray.
- 2 Push the assembly inside the tray.
- 3 The assembly is secured when you hear a click on both sides.

## 3 Installation valve with one armored cable and grounding

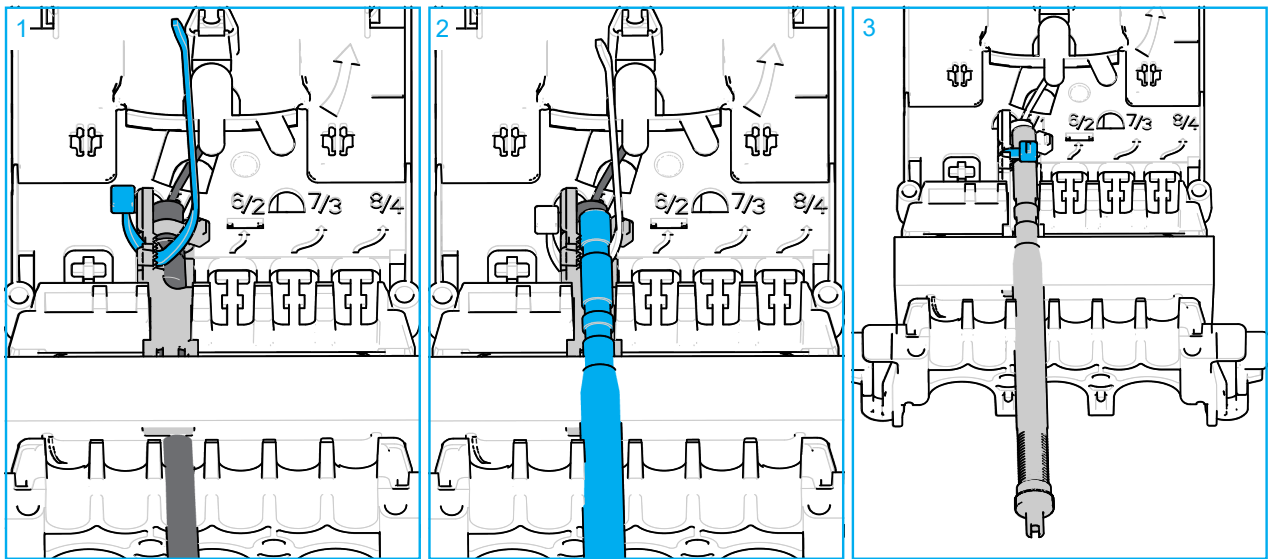
If only one armored cable is installed, the valve can be installed in the F2 position of the feeder bracket.



- 1 Install a cable tie in the slot of the feeder bracket at the F2 side. Make sure the port reducers are installed.
- 2 Place the valve in the port and align the top slot of the valve with the cable tie.
- 3 Tighten the cable tie and cut of excess cable tie strap.

## 4 Installation valve with two armored cables and grounding

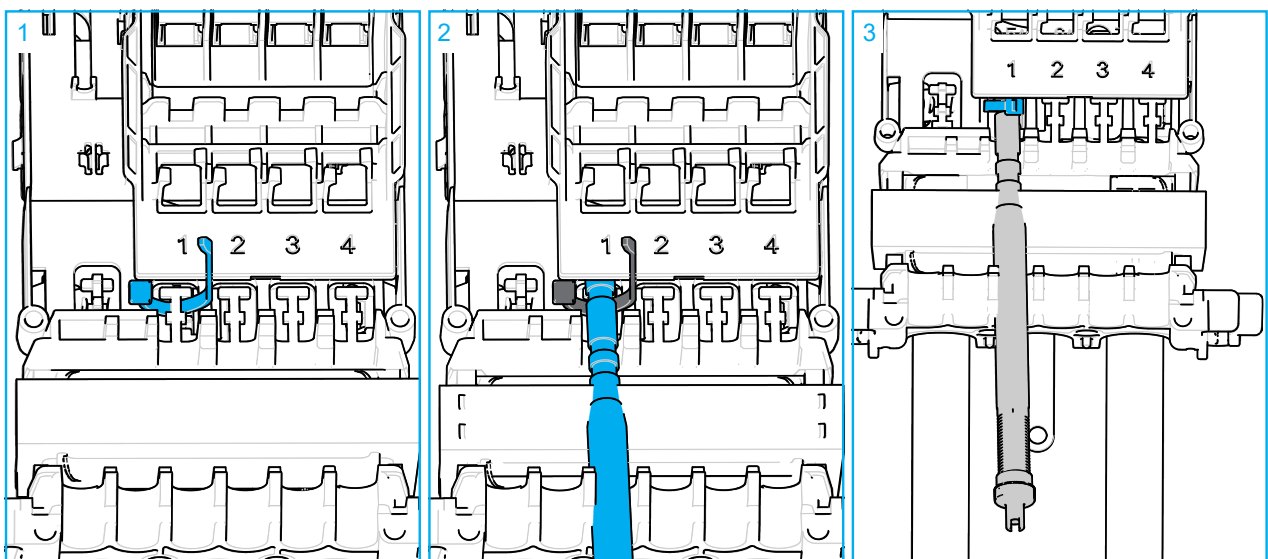
If two armored cable are installed, the valve can be installed on the drop side of the closure on the top position of the mini dual cable bracket.



- 1 Install a cable tie in the slot in the carrier at the top position.
- 2 Place the valve in the port and align the top slot of the valve with the cable tie.
- 3 Tighten the cable tie and cut of excess cable tie strap.

## 5 Xpress drop: Installation valve with two armored cables and grounding


If two armored cable are installed in combination with the Xpress drop feature, the valve can be installed on the drop side of the closure on the T-shape.



- 1 Place a cable tie around the T-shape of the port where the valve will be installed.
- 2 Place the valve in the port and align the top slot of the valve with the cable tie.
- 3 Tighten the cable tie and cut of excess cable tie strap.

## 6 Testing the closure seal

The closure can be tested up to 20 kPa / 3 psi.

 **Note:** After flash testing, release the pressure from the closure through the valve.